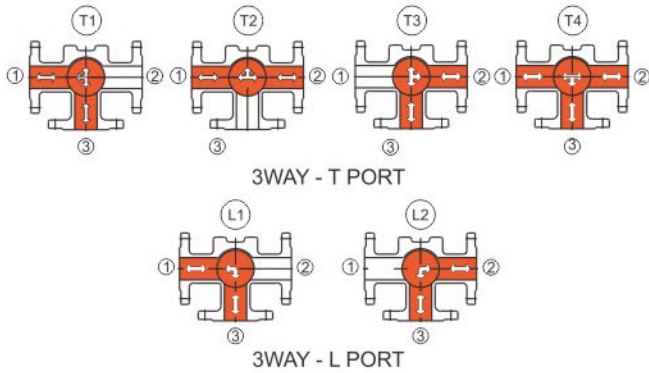
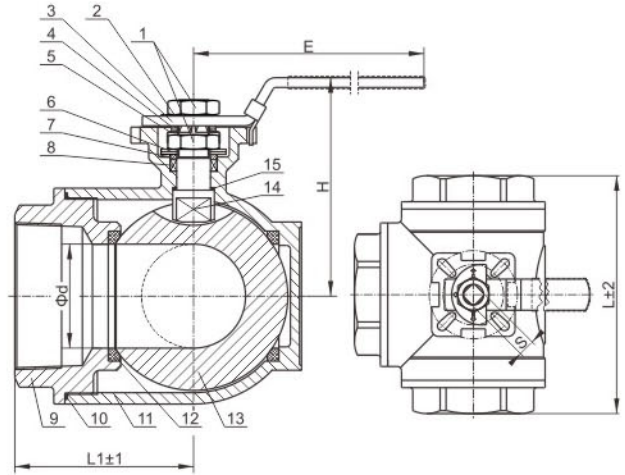


C801

三通高平台螺纹球阀

Three Way High Platform Thread Ball Valve



主要零件材料 MAIN PARTS AND MATERIALS

| 序号 NO. | 零件名称 PART NAME | 材料 MATERIAL |
|--------|-------------------------|--------------|
| 1 | 螺母 Nut | 304 |
| 2 | 指示器 Indicator | Al |
| 3 | 手柄 Handle | 201+PVC |
| 4 | 垫圈 Washer | 304 |
| 5 | 防松帽 Anti Loosing Bonnet | 304 |
| 6 | 碟簧 Disc Spring | 304 |
| 7 | 压盖 Gland | 304 |
| 8 | 填料 Packing | PTFE |
| 9 | 阀盖 Bonnet | WCB/CF8/CF8M |
| 10 | 垫片 Gasket | PTFE |
| 11 | 阀体 Body | WCB/CF8/CF8M |
| 12 | 阀座 Seat | PTFE |
| 13 | 球体 Ball | 304/316 |
| 14 | 阀杆 Stem | 304/316 |
| 15 | 止推垫片 Thrust Gasket | PTFE |

主要技术参数 MAIN TECHNICAL PARAMETER

| | | | |
|--|-------------------------------|-----------|-----|
| 公称压力 NOMINAL PRESSURE | | 1000PSI | |
| 试验压力 Test Pressure | 壳体 Shell | 10.4 | MPa |
| | 高压密封 High-Pressure Closure | 7.6 | |
| | 低压密封 Low-Pressure Closure | 0.4-0.7 | |
| 适用温度 Applicable Temperature | | -29~120°C | |
| 适用介质: 水、油、气 Applicable medium: water, oil, gas | | | |

结构尺寸 CONFIGURATION DIMENSION

单位 Unit: mm

| SIZE | d | L | H | E | L1 | ISO5211 | | S |
|--------|----|-----|-----|-----|------|---------|-----|----|
| 1/4" | 11 | 72 | 65 | 125 | 36 | F03 | F04 | 9 |
| 3/8" | 11 | 72 | 65 | 125 | 36 | F03 | F04 | 9 |
| 1/2" | 12 | 72 | 65 | 125 | 36 | F03 | F04 | 9 |
| 3/4" | 15 | 82 | 70 | 125 | 41 | F03 | F04 | 9 |
| 1" | 18 | 90 | 80 | 155 | 45 | F04 | F05 | 11 |
| 1 1/4" | 25 | 128 | 90 | 155 | 64 | F04 | F05 | 11 |
| 1 1/2" | 32 | 137 | 110 | 185 | 68.5 | F05 | F07 | 14 |
| 2" | 38 | 154 | 115 | 185 | 77 | F05 | F07 | 14 |
| 2 1/2" | 49 | 200 | 140 | 260 | 100 | F07 | F10 | 17 |
| 3" | 65 | 236 | 155 | 260 | 118 | F07 | F10 | 17 |